

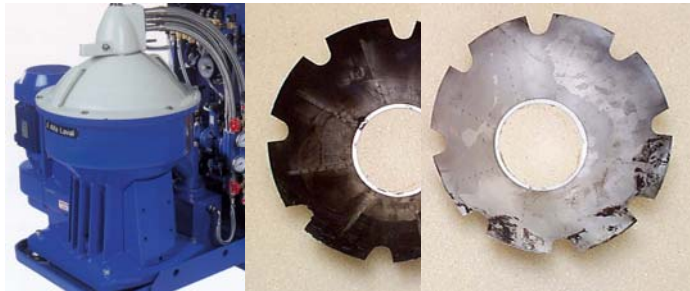
# DREWCLEAN B530 – water based

## ONE STEP ORGANIC ACID DEGREASING AGENT

### Market:

Removing of scale, organic fouling and oil/grease in industrial systems

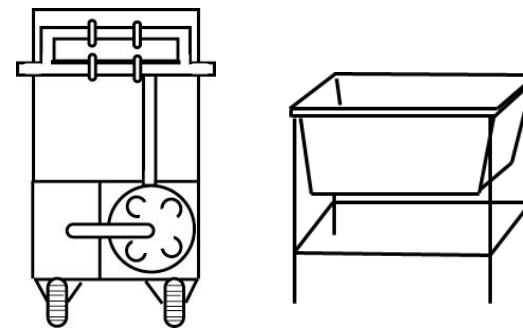
- Oil Separators
- Oil Heat Exchangers
- Heat Exchangers
- Boil-out
- General water systems
- Engine parts
- Flue gas coolers



**ASHLAND**

### Application:

- 0,5 – 10% water solution
- One step cleaning
- Cleaning bath / circulation unit
- Application temperature:
  - Range: 10 – 90°C,
  - Optimal: 45 – 60°C



Product flyer

29 July 2008

# DREWCLEAN B533 – water based

## ONE STEP ORGANIC ACID DEGREASING AGENT- GALVANIZED MATERIAL

### Market:

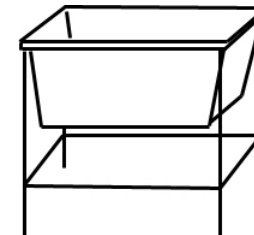
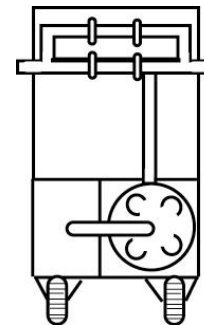
Removing of scale, organic fouling and oil/grease in GALVANIZED containing industrial systems

- Evaporative condensers
- Heat Exchangers
- General water systems



### Application:

- 0,5 – 10% water solution
- One step cleaning
- Cleaning bath / circulation unit
- Application temperature:
  - Range: 10 – 40°C,
  - Optimal: 25 – 30°C



# DREWCLEAN B543 – water based

## SCALE & METAL OXIDE RECONDITIONING AGENT

### Market:

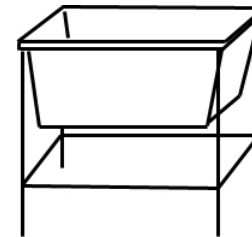
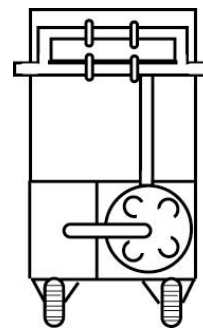
Removing of scale/oxide in industrial systems

- Heat exchangers
- Cooling- & boiler systems
- HVAC
- General water systems



### Application:

- 0,5 – 10% water solution
- Cleaning bath / circulation unit
- Application temperature:
  - Range: 10 – 90°C,
  - Optimal: 45 – 60°C



# DREWCLEAN B547- gel based

## SCALE & METAL OXIDE RECONDITIONING AGENT

### Market:

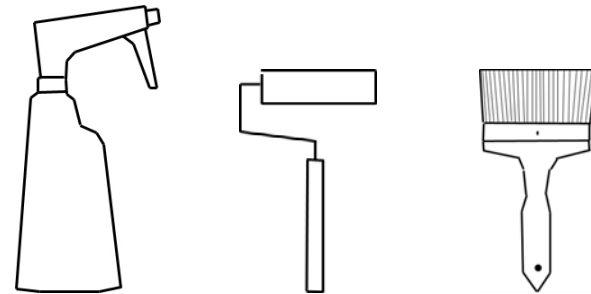
Removing of heavy oxidation, fouling and soot onto industrial systems.

- Train wagons
- Ships
- Containers
- Aluminium / steel, storage tanks
- Aluminium / glass facing of buildings



### Application:

- Ready to use product
- Spray, roll, brush
- Optimum working temp.: 20 – 30 °C
- Avoid drying in direct sun



# DREWCLEAN B551 – water based

## SCALE & METAL OXIDE RECONDITIONING AGENT

### HEAVY DUTY

#### Market:

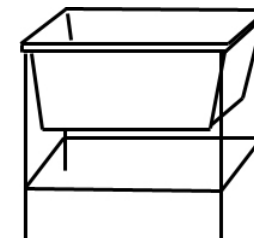
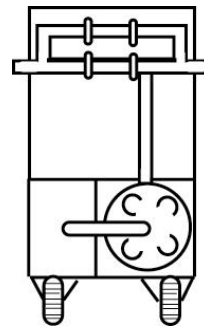
Removing of scale/oxide in industrial systems

- Heat exchangers
- Cooling- & boiler systems
- HVAC
- General water systems



#### Application:

- 0,5 – 10% water solution
- Cleaning bath / circulation unit
- Application temperature:
  - Range: 10 – 90°C
  - Optimal: 45 – 60°C



# DREWCLEAN B709- gel based

## ORGANIC FOULING RECONDITIONING AGENT

### Market:

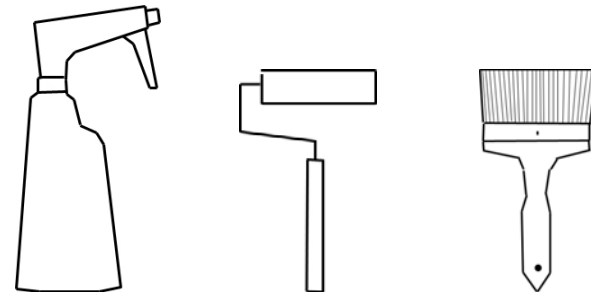
Removing of oil / fat / organic fouling onto industrial systems

- Food industry
- Refinery industry
- Industrial installations
- ships
- Air coolers
- General water systems



### Application:

- Ready to use product
- Spray, roll, brush
- Optimum working temp.: 20 – 30 °C
- Avoid drying in direct sun



# DREWCLEAN B716- water based

## NEUTRAL ORGANIC FOULING RECONDITIONING AGENT

### Market:

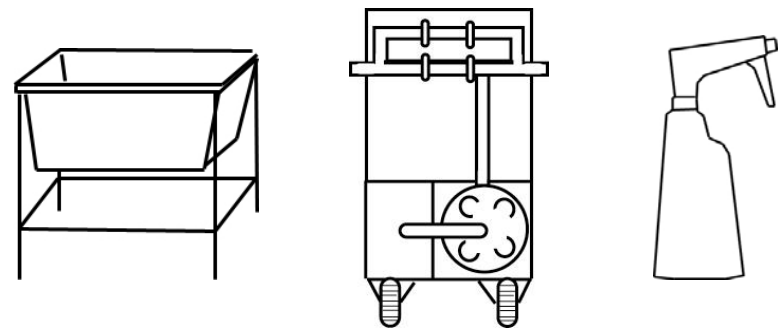
Removing of oil / fat / organic fouling in industrial systems

- Heat exchangers
- Cooling- & boiler systems
- Refineries / food plants
- General water systems



### Application:

- 0,5 – 10% water solution
- Cleaning bath / circulation unit / spray
- Application temperature:
  - Range: 10 – 90°C
  - Optimal: 45 – 60°C



# DREWCLEAN B912- water based

## ALKALINE ORGANIC FOULING RECONDITIONING AGENT

### HEAVY DUTY

#### Market:

Removing of persistent oil / fat / organic fouling in industrial systems

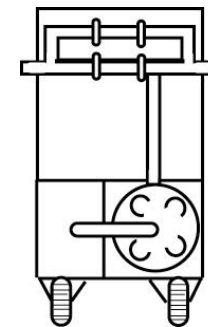
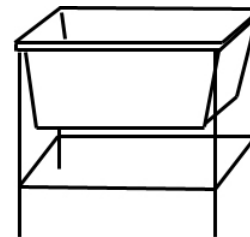
- Heat exchangers
- Cooling- & boiler systems
- Refineries / food plants
- General water systems



**ASHLAND**

#### Application:

- 0,5 – 10% water solution
- Cleaning bath / circulation unit / spray
- Application temperature:
  - Range: 10 – 90°C
  - Optimal: 45 – 60°C



Product flyer

29 July 2008